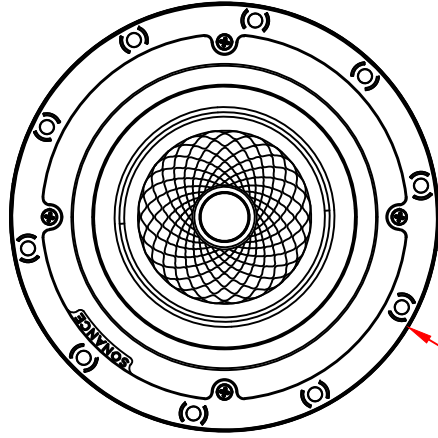
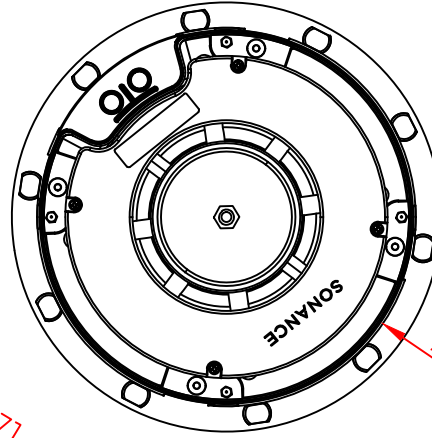


FRONT



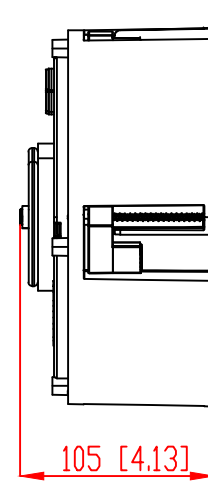
$\phi 232.8$  [ $\phi 9.17$ ]

BACK / MINIMUM CUTOUT



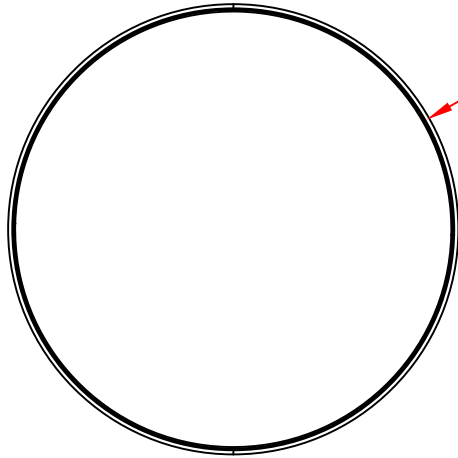
$\phi 205.6$  [ $\phi 8.09$ ]

MOUNTING DEPTH



105 [4.13]

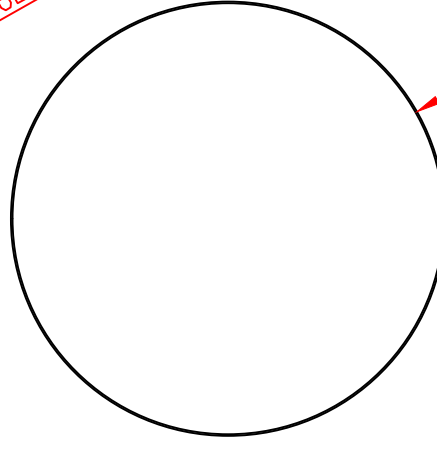
MICRO TRIM GRILLE



$\phi 244.4$  [ $\phi 9.62$ ]

4.0 [0.16]

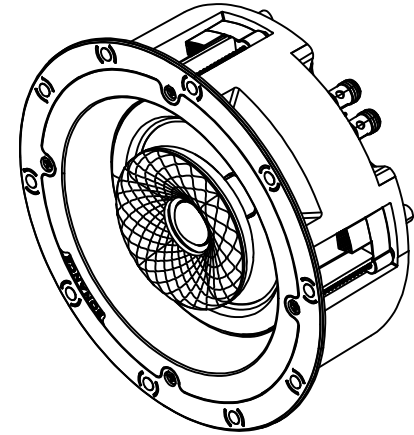
TRIMLESS GRILLE



$\phi 235.6$  [ $\phi 9.28$ ]

3.6 [0.14]

ISOMETRIC



991 Calle Amanecer  
San Clemente, California 92673 USA  
949-492-7777  
www.sonance.com

VX60R SPEAKER

SCALE: 1 : 1	DRAWN BY: Roy	REV.
SHEET: 01	RELEASED ON:	DRAWN - PART NUMBER

**SONANCE**